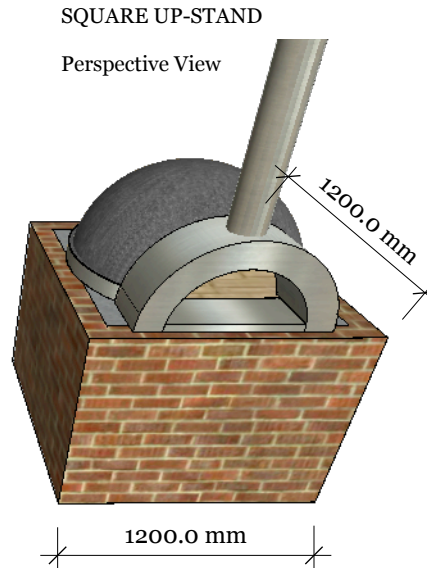
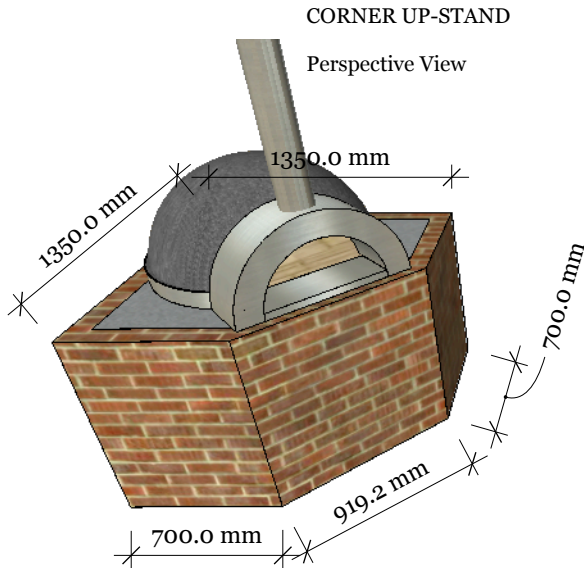


Z1100 Up-Stand Specs

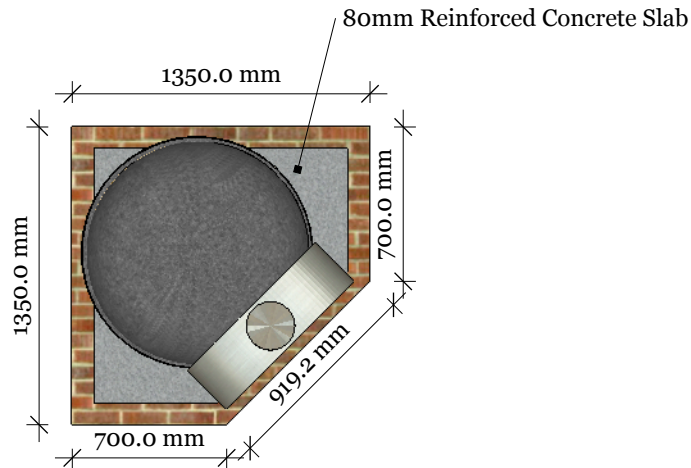


No flammable materials should be used under or around the oven when constructing your support base. We only recommend a brick up-stand with an 80mm reinforced concrete slab top for supporting the oven.

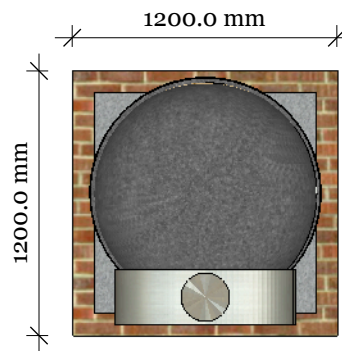
Zesti Ovens Pty Ltd takes no responsibility for damage to your oven or surrounding property if installed any other way.

Your oven should never be installed directly onto a solid granite/stone top or onto a solid stainless steel top. Doing this will cause your stone top to crack or your stainless steel to buckle.

If you wish to use either of the above finishes around your oven, then please call us first to discuss the correct method for doing this.



TOP VIEW



TOP VIEW



Zesti Ovens PTY LTD
Unit 3/43 Westchester Road
Malaga, Perth, Western Australia
6090
Phone: +61 (8) 92093103
zestiovens@iprimus.com.au
ABN 36169842623

	Drawn By Chris	Checked	Scale	Date 2017
	Version: V1	Z1100 Up-stand Specifications		
All Designs Remain The Property Of Zesti Ovens PTY LTD				